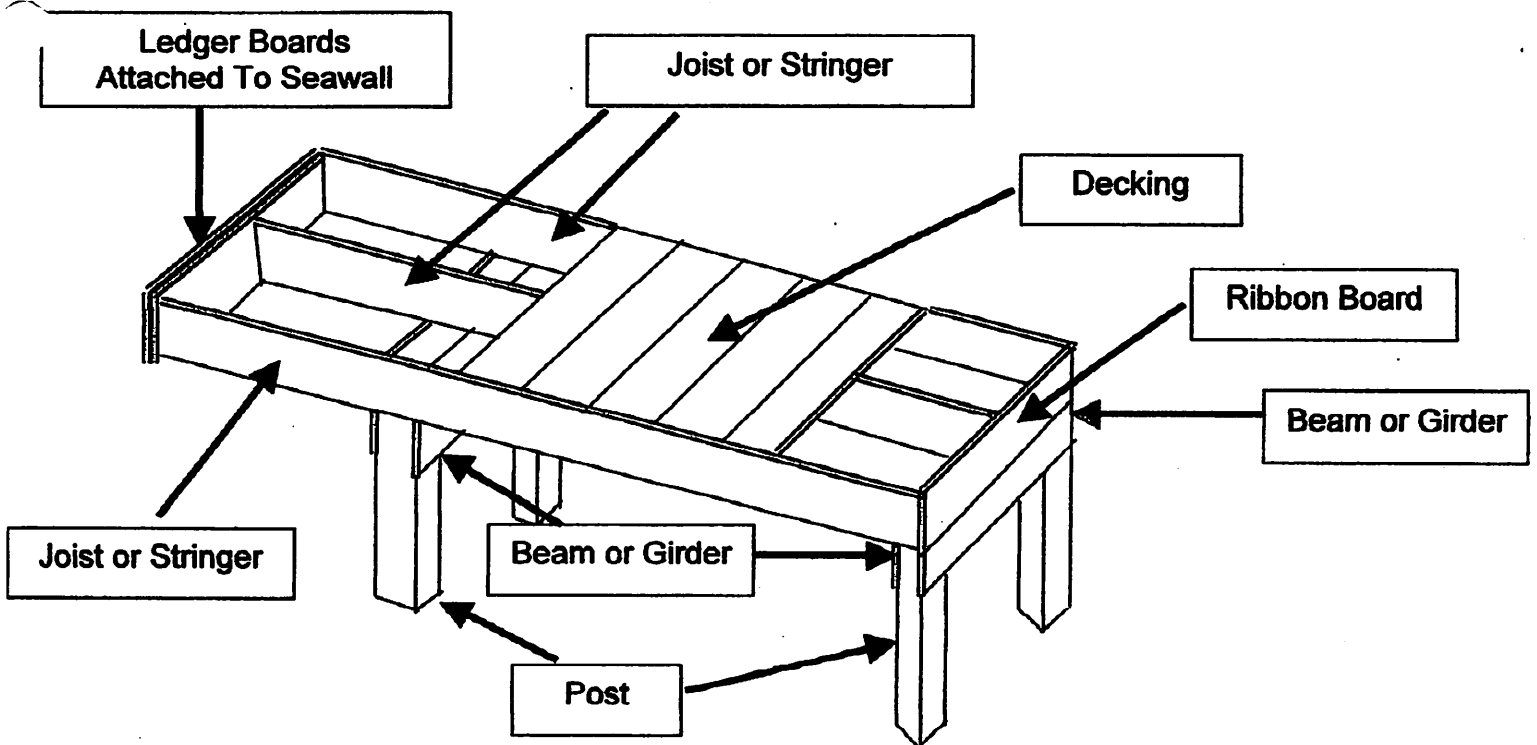


# FLHPOA PIER SPECIFICATIONS

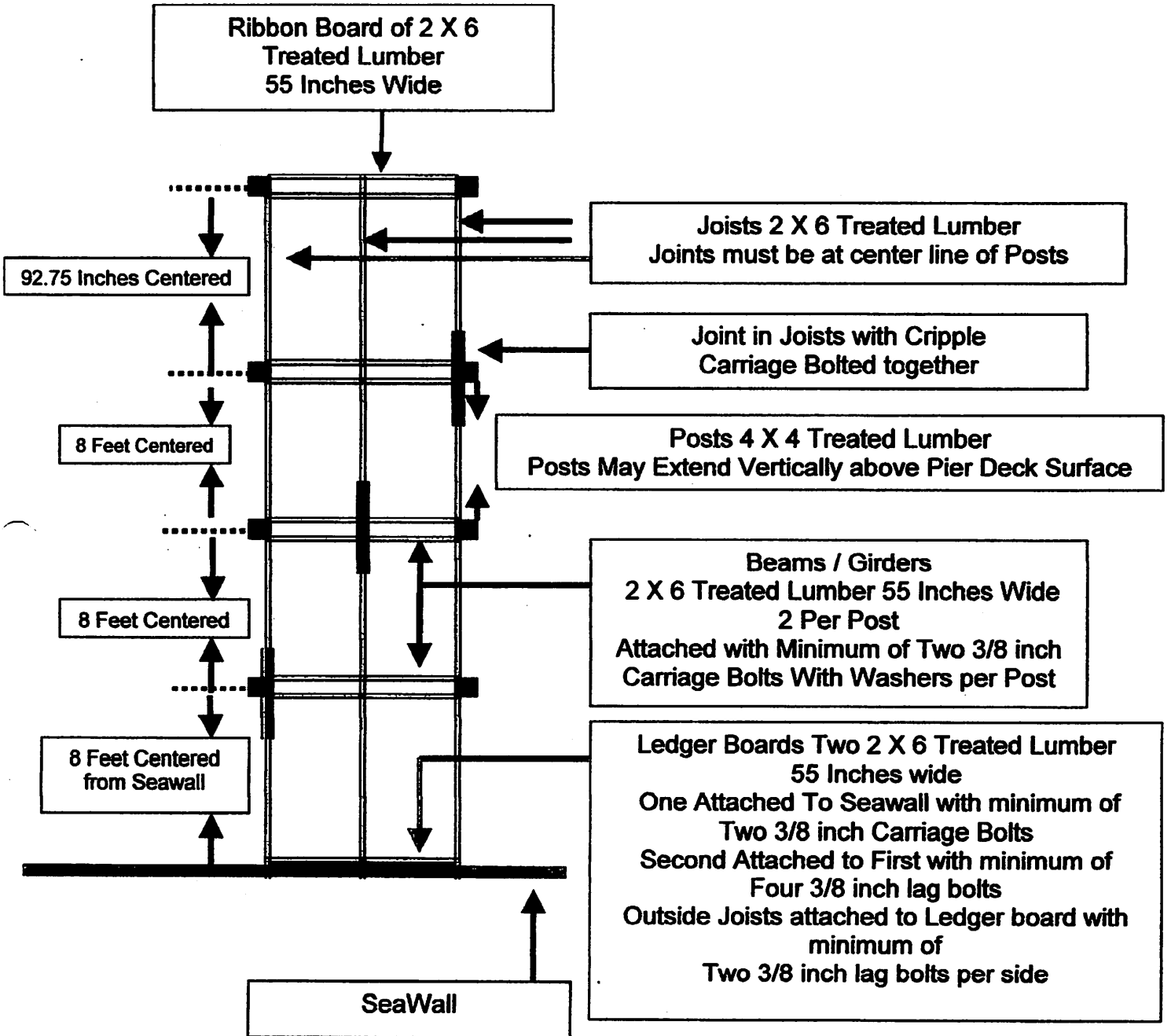
## Useful Terms

- **Beam / Girder.** A support member of a deck floor framing system which rests upon the piers. The girder is in a position parallel to the ledger and supports the opposite end of the joists. Attached to the Posts with Carriage bolts, Washers and Nuts.
- **HDG (Hot dipped galvanized).** A rustproof coated metal which is less expensive than aluminum or stainless steel.
- **Joists / Stringer.** A system of floor framing commonly using 2 x 6 or 2 x 8 lumber. Positioned on top of Beams / Girders Decking is attached to top of Joists / Stringers
- **Ledger.** A board of the same size as the joists, attached to Seawall, to which the joists are perpendicularly attached.
- **Decking.** Boards attached to the top of the Joists / Stringers, top surface of pier.
- **Posts.** Boards sunk vertically into bottom of Harbor. Support all of pier.
- **Cripple.** Board used to strengthen joint between two boards. Spans across joint and is attached to both boards.

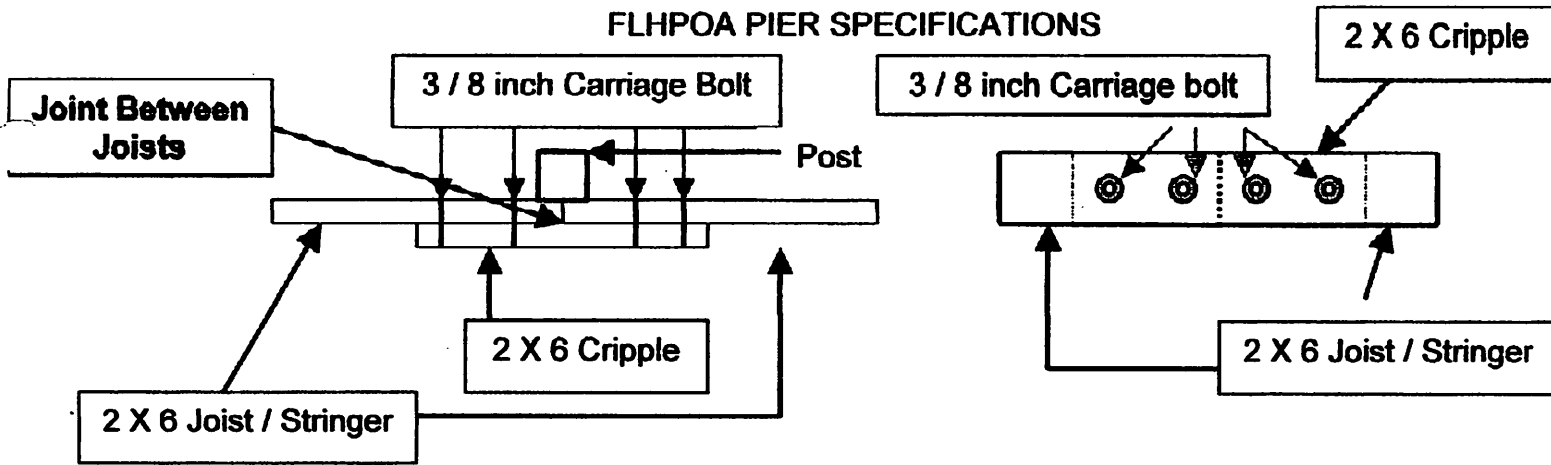


**Pier Framing  
Illustrative for Component Names Pier Specifications on  
Following Pages**

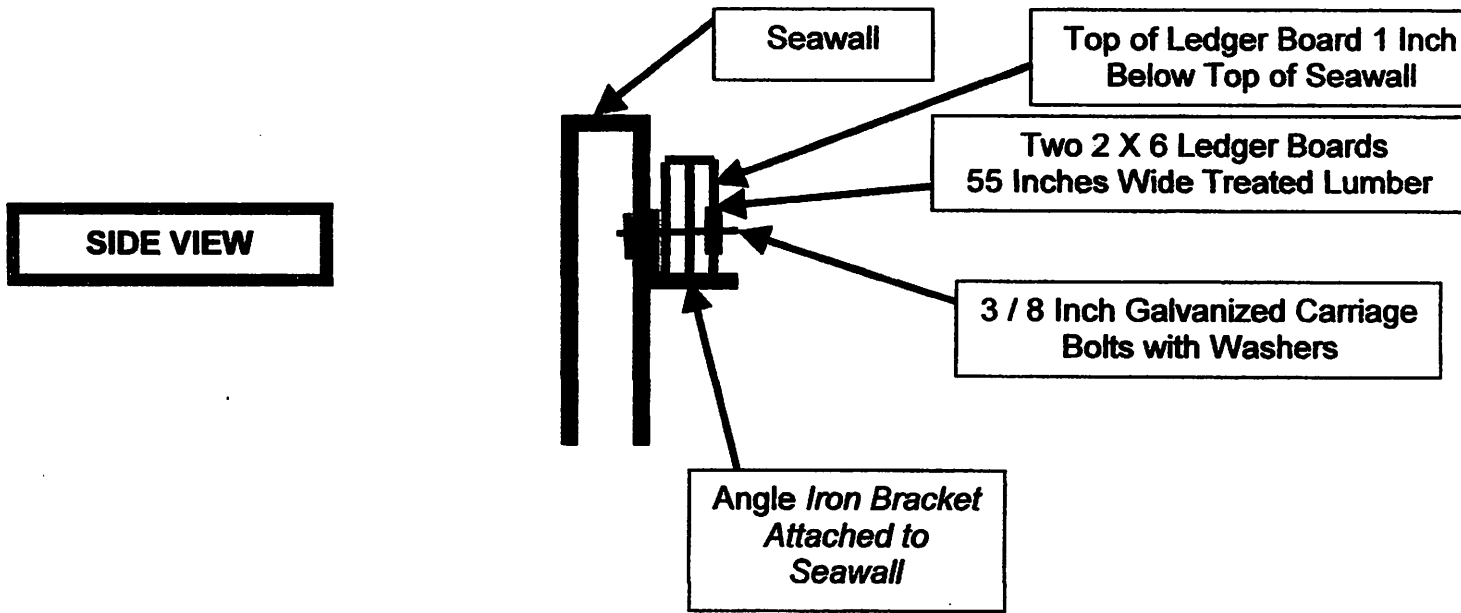
# FLHPOA PIER SPECIFICATIONS



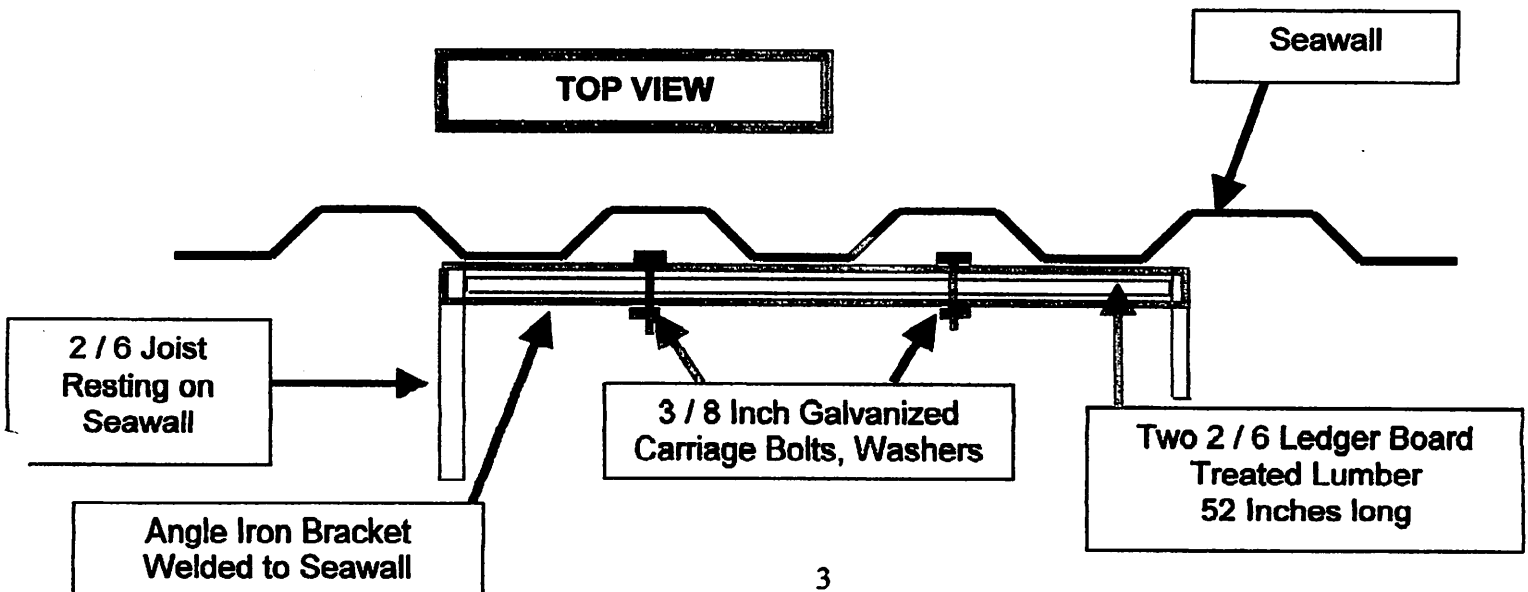
**FLHPOA PIER SPECIFICATIONS**



**Seawall And Ledger Board Attachment**



**TOP VIEW**



# FLHPOA PIER SPECIFICATIONS

